

EasiLiner™

Installation Guidelines

1. Fix the EasiLiner to its final installation location by means of the holes supplied in the unit's flanges with anchor bolts or studs and nuts.
2. For best savings, install the EasiLiner's electrical connections on the **Load Side** of the starter, disconnect, or overload protection device (see Figures 1, 3, and 4 for installation suggestions). When it is not possible to install the EasiLiner on the Load Side, install the EasiLiner on the Line Side as shown in Figure 2.

NEVER install EasiLiner on the **Load Side** of any Variable Speed Drive, Soft-Start Starter, or any solid-state device that drives the Non-Linear Load.

3. Make sure the load you are going to treat with an EasiLiner is switched off by its service disconnect. Install the wires feeding the EasiLiner following N.E.C. guidelines and applicable local codes.
4. Make a final visual inspection and make sure all the connections are firmly tightened and the ground lug is connected to earth ground or the facility's ground system. Also, clean the interior of EasiLiner enclosure and make sure no scrap wire or metal debris is loose inside.
5. Apply power to the Treated Load. Load should work as usual.

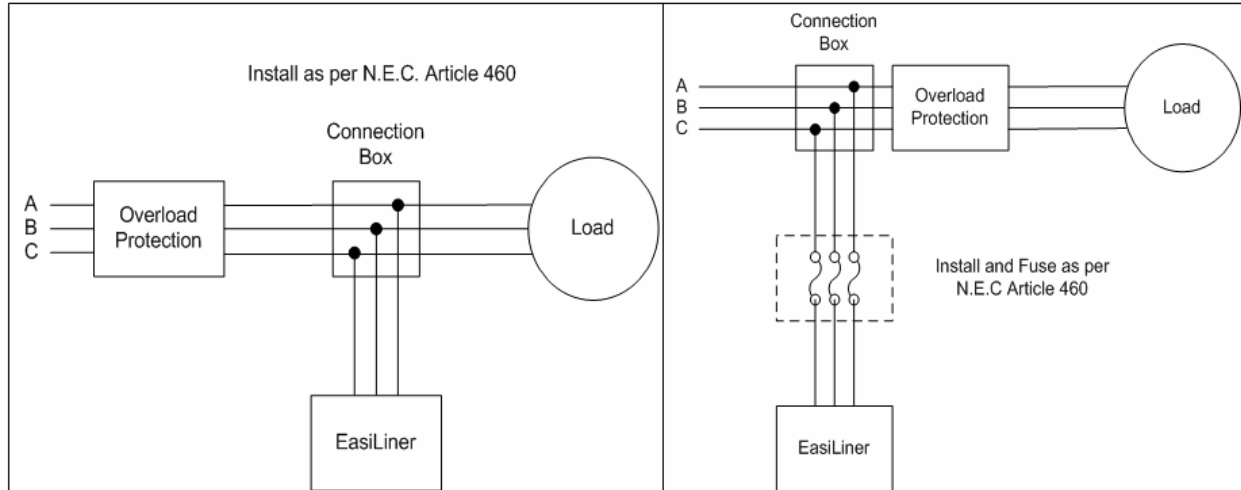


Figure 1 – Overload Installation, Load Side

Figure 2 – Overload Installation, Line Side

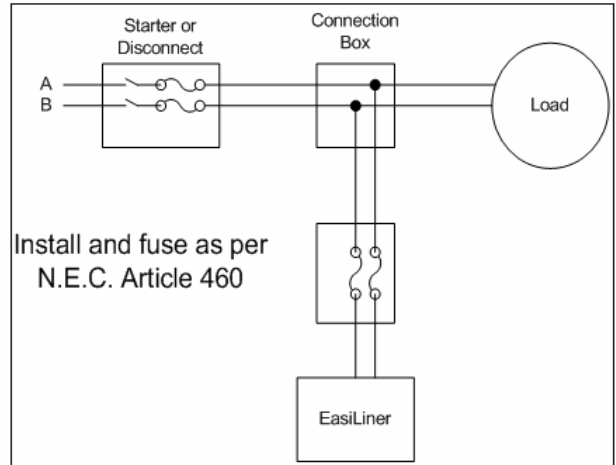
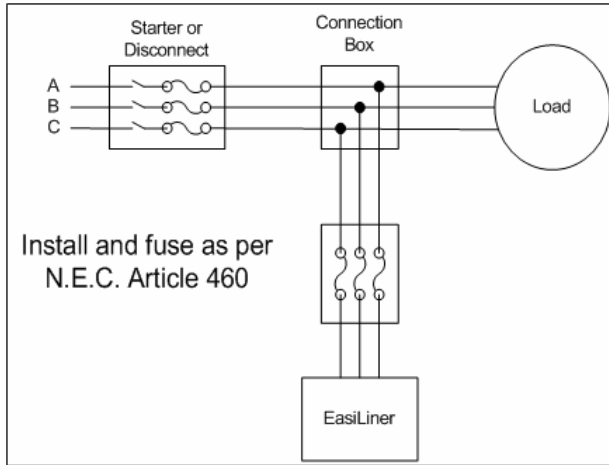


Figure 3 – Three-phase Installation, Load Side

Figure 4 – Single-phase Installation, Load Side